

Product specifications

-  Lightweight
-  High-quality stone look
-  Favourable plant growth
-  Suitable for indoor and outdoor use
-  Excellent insulating properties
-  Optimum moisture retention
-  Extreme frost resistance
-  UV and weather resistance
-  Scratch-proof on tiled and wooden floors
-  High shock and pressure resistance
-  Easy to clean
-  Food safe
-  100 % recyclable
-  Made in EU



Results of the climate chamber endurance test: Core temperature at least 30 % more stable

The HIRSCH plant pots made of EPP offer optimum temperature protection of the root ball due to the excellent insulating properties of the material.

The laboratory measurements clearly show a lower temperature fluctuation inside the root ball, so that frost protection is increased by at least 30 % compared with conventional plastic pots. The outdoor season of the plants can therefore be extended and it is no longer necessary to cover the pot with jute or other materials.



HIRSCH Porozell GmbH
9555 Glanegg 58, Austria
T +43 4277 / 2211 0
F +43 4277 / 2211 444
office.porozell@hirsch-gruppe.com
www.hirsch-gruppe.com

© All rights reserved, HIRSCH Porozell GmbH, 2019

bigbang
Studio für Kommunikation

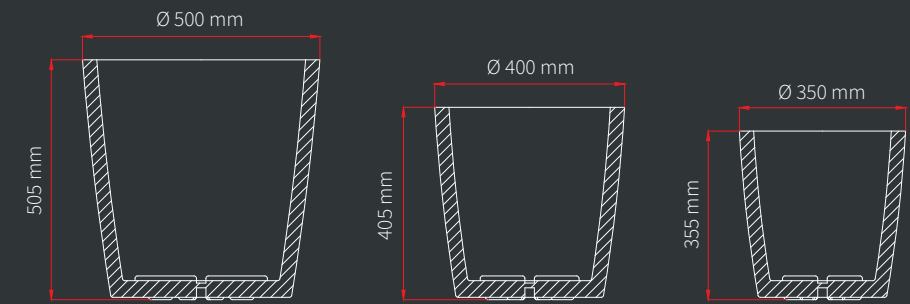
EPP Plant Pots*

for indoor and outdoor use

*EPP = Expanded polypropylen

Plant pot round

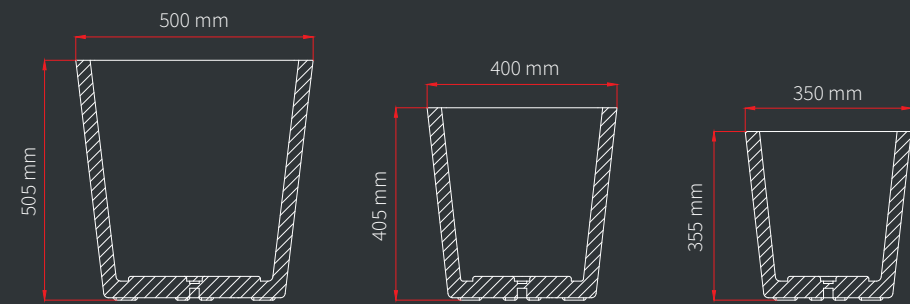
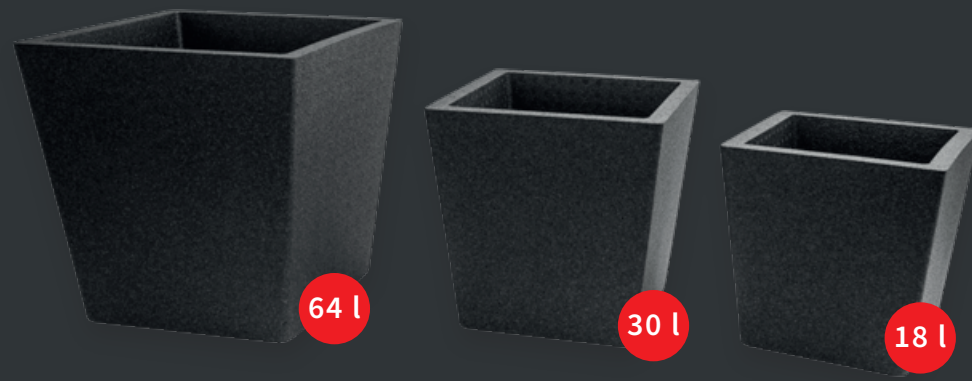
-  Grey
-  Anthracite
-  Further colours available on request.



Filling quantity	Diameter	Height	Weight	Density
52 liter	Ø 500 mm	505 mm	928 g	40 g/l
24 liter	Ø 400 mm	405 mm	587 g	40 g/l
15 liter	Ø 350 mm	355 mm	440 g	40 g/l

Plant pot square

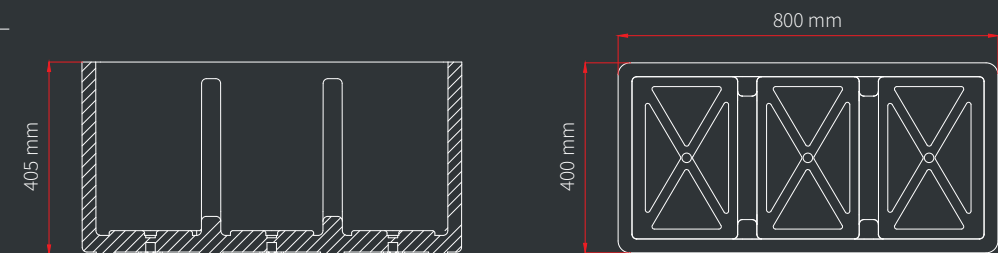
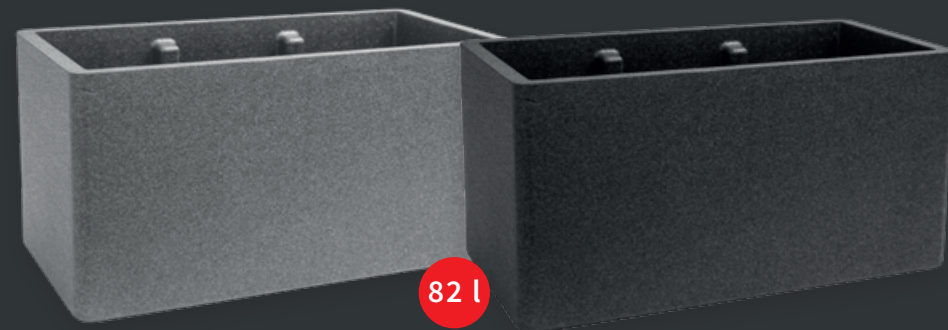
-  Grey
-  Anthracite
-  Further colours available on request.



Filling quantity	Format	Height	Weight	Density
64 liter	500 x 500 x 505 mm	505 mm	1.163 g	40 g/l
30 liter	400 x 400 x 405 mm	405 mm	731 g	40 g/l
18 liter	350 x 350 x 355 mm	355 mm	536 g	40 g/l

Plant trough

-  Grey
-  Anthracite
-  Further colours available on request.



Filling quantity	Format	Height	Weight	Density
82 liter	800 x 400 x 405 mm	405 mm	1.580 g	40 g/l